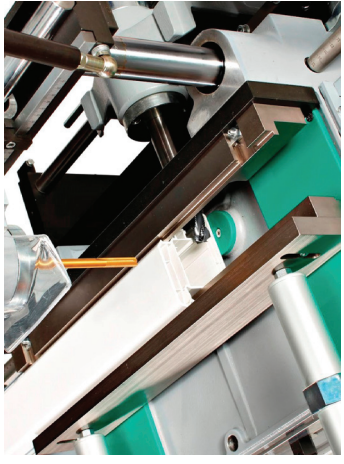


Manual copy router for pvc profiles

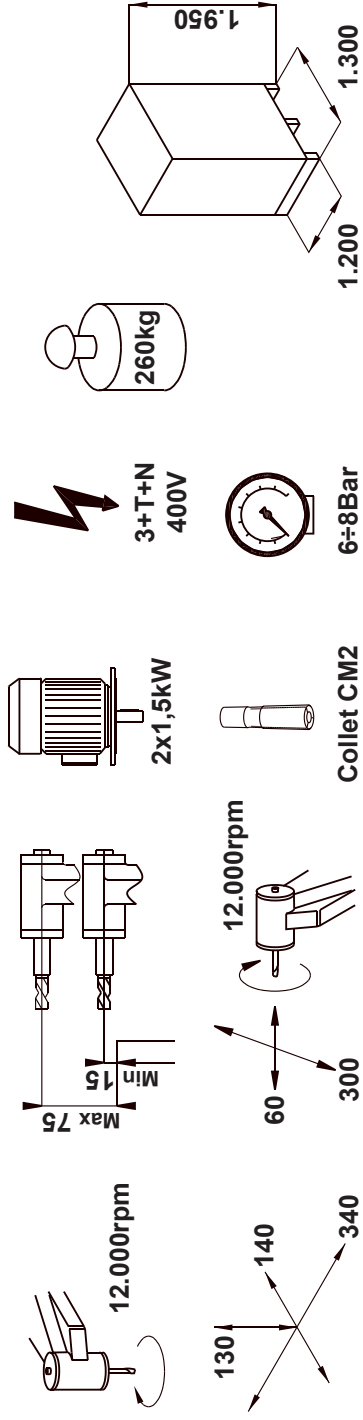
Conceived to carry out the passing milling operations with the vertical unit and to mill the slot with the horizontal unit on both doors and windows, without turning the profile. Machining times are very short and the profile positioning is extremely easy. The effective clamping system, whose clamps are as wide as the working table, makes the machining of the profile completely vibration free. The professional tools enable to perform passing operations up to 110mm.



6+6 foldaway stops on the lateral supports in 3 available lengths: 1/2/2,5m

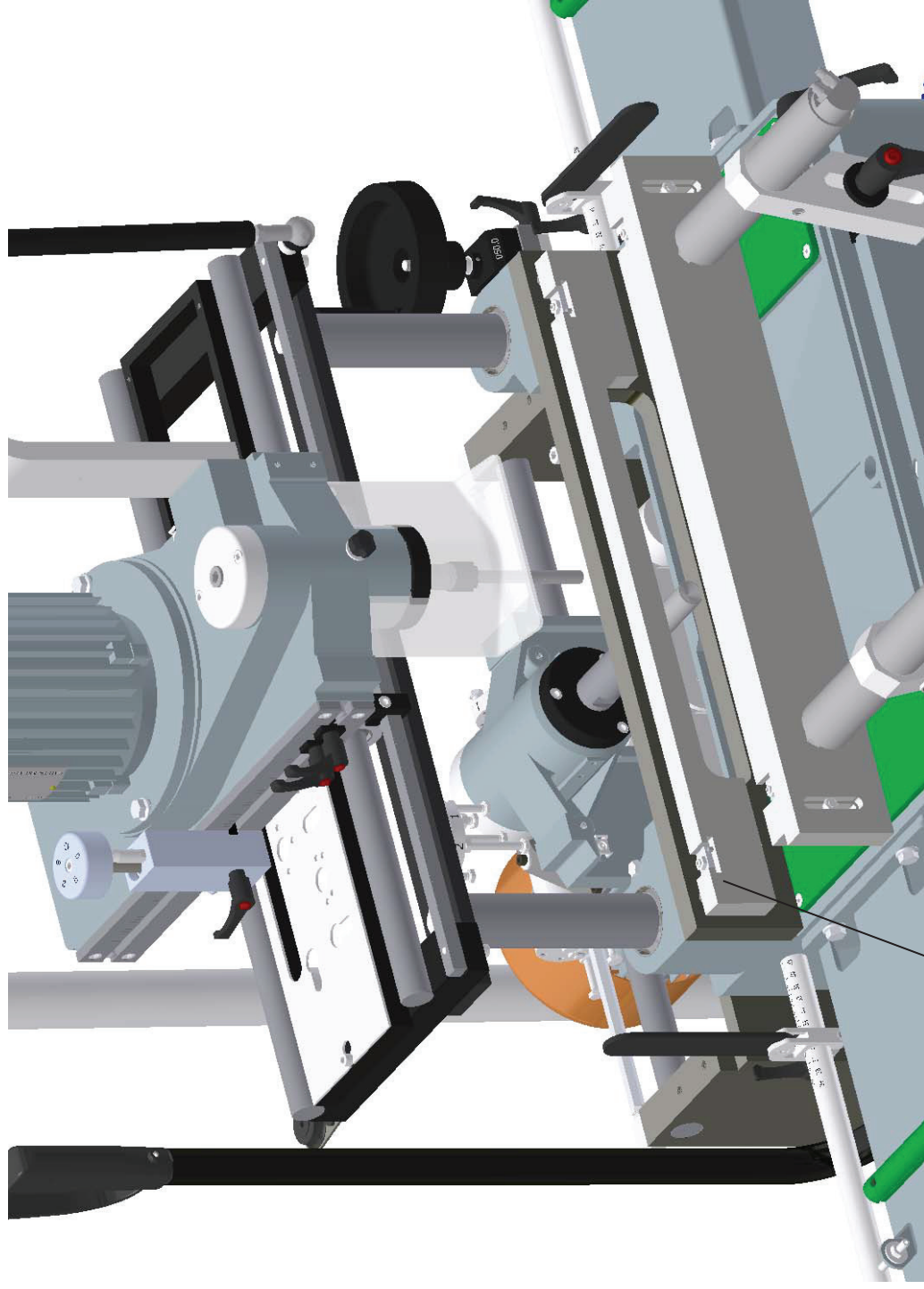


CE



The main feature of the clamping system is represented by its customized counter shapes that firmly secure the profile to the working table without any vibrations and deformation. The counter shape change is extremely fast thanks to the easy reverse system.

Wide range of copy templates and counter shapes meant for different profile systems.



The Company reserves the right to amend and improve its products without notice.

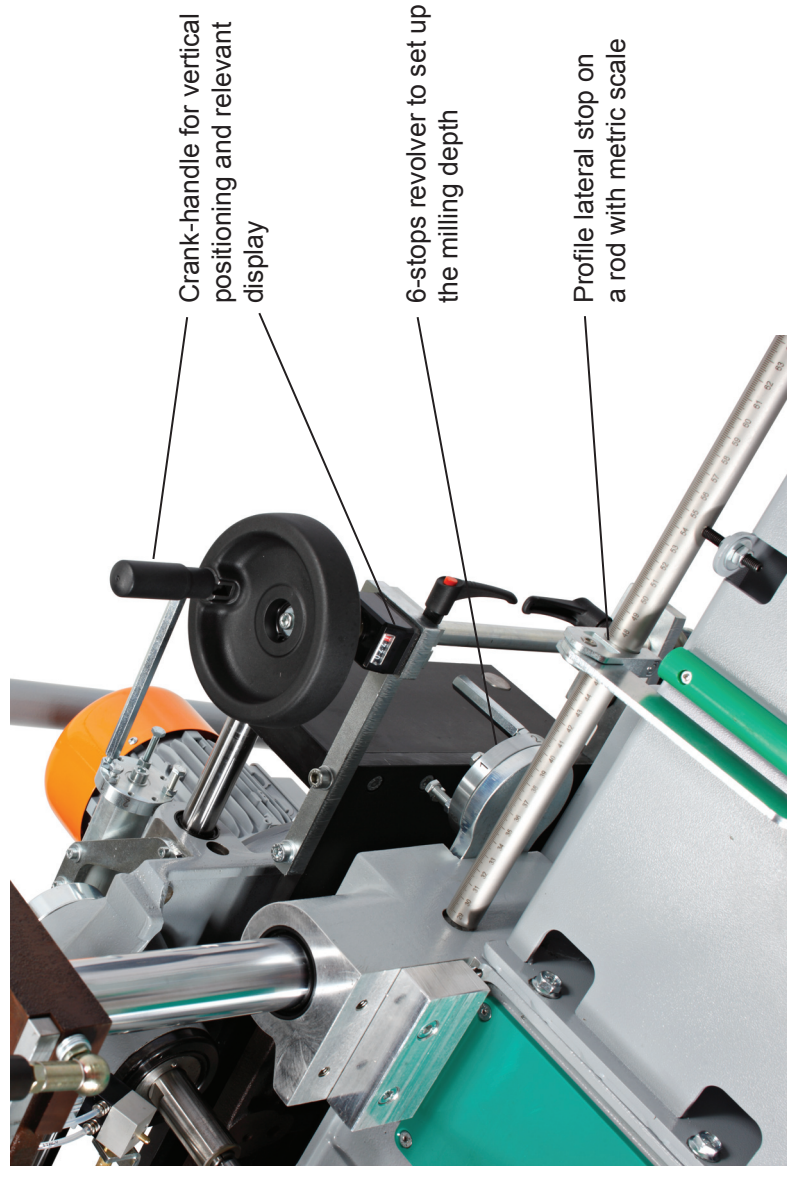
Functioning:

- 1) the profile is clamped at low pressure by activating the valve (A);
- 2) by pushing simultaneously the pneumatic buttons (B) placed on the handles of the right and left levers, the high pressure clamping is activated and the vertical motor is set in motion;
- 3) by pushing simultaneously the pneumatic buttons (C) placed on the handles of the middle lever, the horizontal motor is set in motion. The bimanual control device is certified and complies with the safety regulations in force.

8 vertical descent stops on the revolver



Each motor is equipped with a thermic feeler that stops the feeding in case of overheating, protecting the integrity of the motor itself.



The rear unit regulations are made from the operator post.

